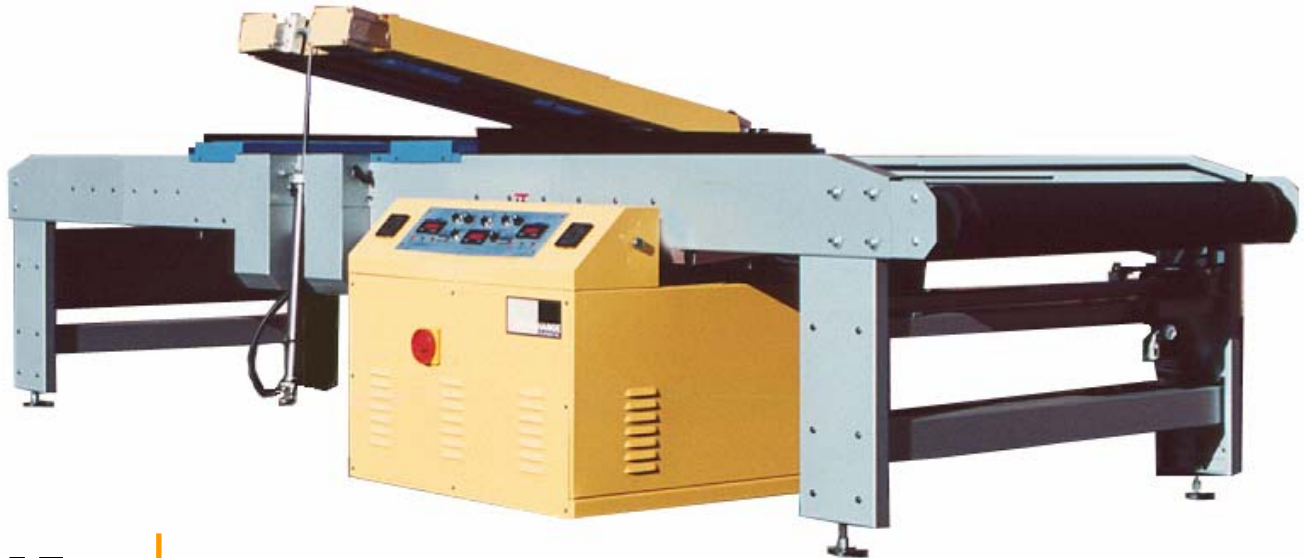


THE COMPACT UV CURING UNIT

...with features not available on similar priced units!



UV Jet

The *UV Jet* is a compact dual or single lamp UV curing unit with features not available on similar priced units. The *UV Jet* features a powerful vacuum system for substrate stability and efficient ozone exhaust. Forced ambient air keeps substrates cool, reducing the risk of distortion even on the most sensitive of materials.

STANDARD FEATURES

- o Oversized irradiator for greater air flow and cooling of UV lamp
- o Automatic pneumatic lift system for easy cleaning and lamp inspection
- o Optic sensor belt tracking system
- o Durable fiberglass conveyor belt with fully adjustable speed control
- o Vacuum hold down for substrate stability and elimination of flutter
- o Magazine loading for ease of replacement bulbs and general maintenance
- o Adjustable tri-powered UV output (120, 200, 300 watts)
- o 24" to 104" sizes available
- o ETL and CE approved

INTERCHANGE
EQUIPMENT INC.

90 Dayton Avenue - Passaic, N.J. 07055 Tel: (973) 473-5005 Fax: (973) 473-4485
Sales: (800) 822-5457 - www.interchangecorp.com / sales@interchangecorp.com

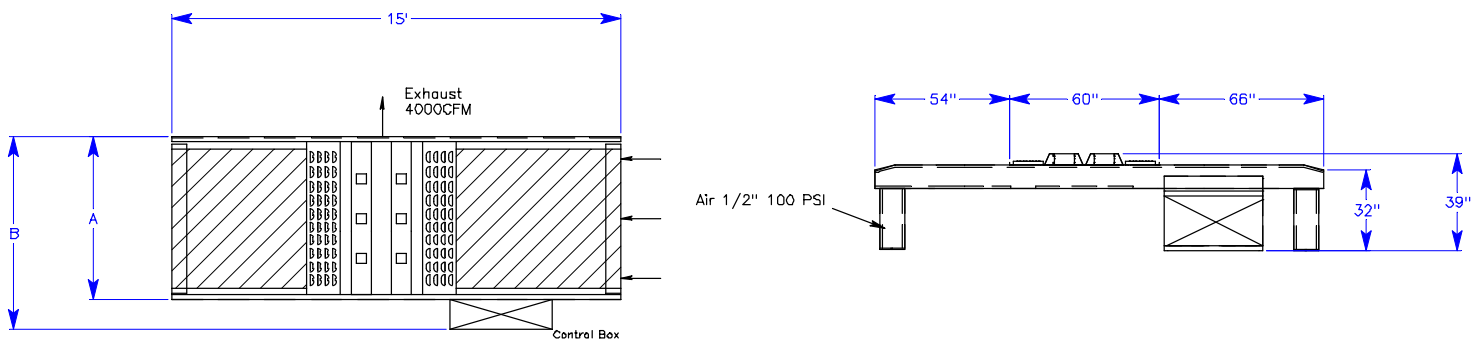
UV Jet

by Interchange

OPTIONAL FEATURES

- o Infra-red panel
- o Cooling sections
- o Double sided UV Curing
- o Additional conveyor sections
- o Infinitely adjustable wattage output
- o Hot-Air sections for combination drying
- o Split belts with independent speed adjustment
- o Metal halide or mercury vapor systems available

SPECIFICATIONS



MODEL	REF	BELT SIZE	A	B
2815	IN	28	37	49
3815	IN	38	47	59
4815	IN	48	57	69
6015	IN	60	69	81
7615	IN	76	85	97
8615	IN	86	95	107
10415	IN	104	113	125

Equipment Solutions for Specific Requirements
www.interchangecorp.com

90 Dayton Avenue - Passaic, N.J. 07055 Tel: (973) 473-5005 Fax: (973) 473-4485
 Sales: (800) 822-5457 - www.interchangecorp.com / sales@interchangecorp.com