

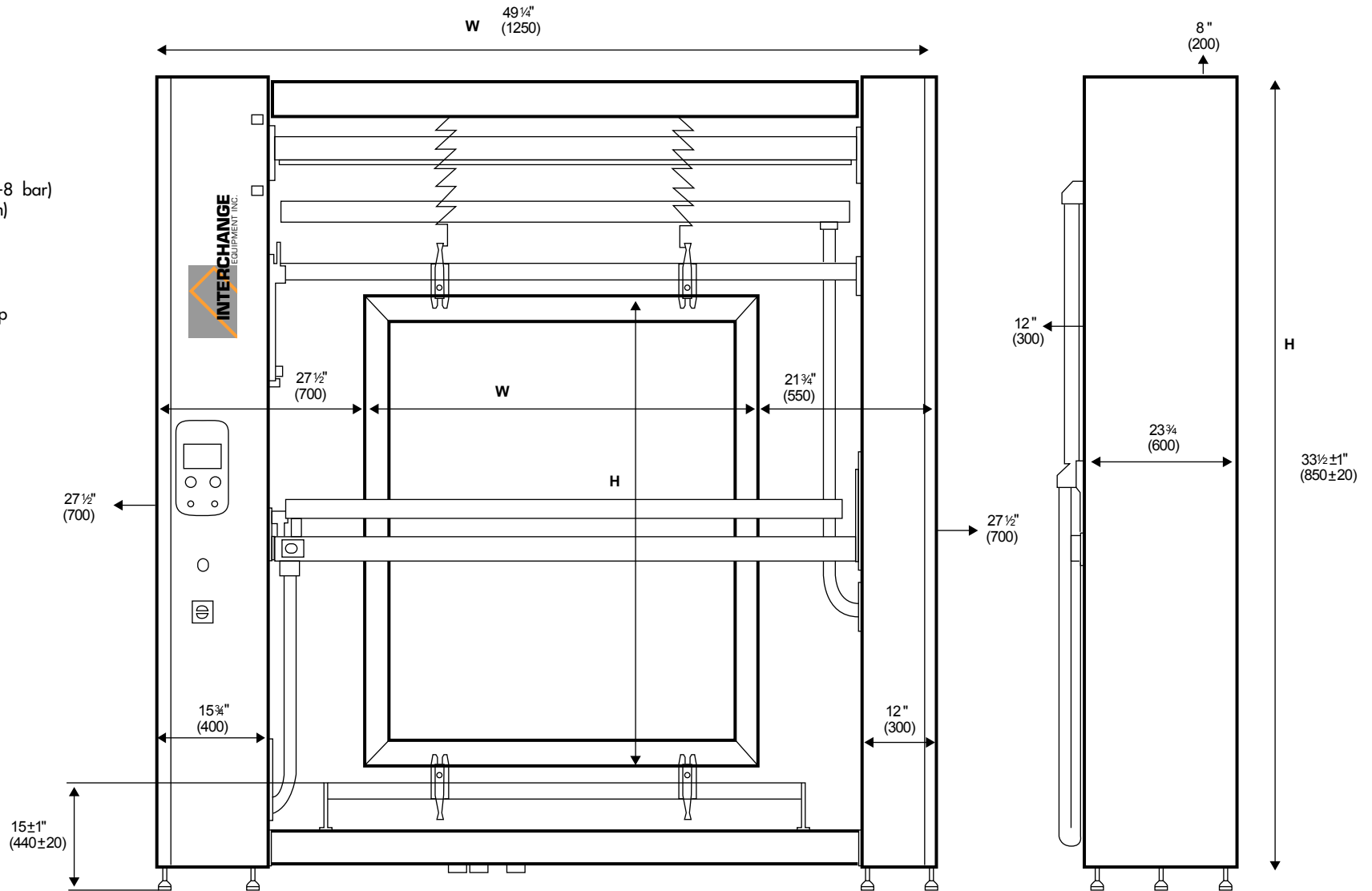
# INTERCHANGE COATING MASTER

## AIR SUPPLY:

90 - 110 PSI (6-8 bar)  
0,2 cfu (5L / min)

## ELECTRIC:

220 Volt 20 Amp  
3 phase 60 Hz



W = max frame width (outside dimension)  
H = max frame height (outside dimension)  
All measurements are inches (mm)